

# PRODUCT SPECIFICATION

## Ultra-Thin LED Recessed Downlight

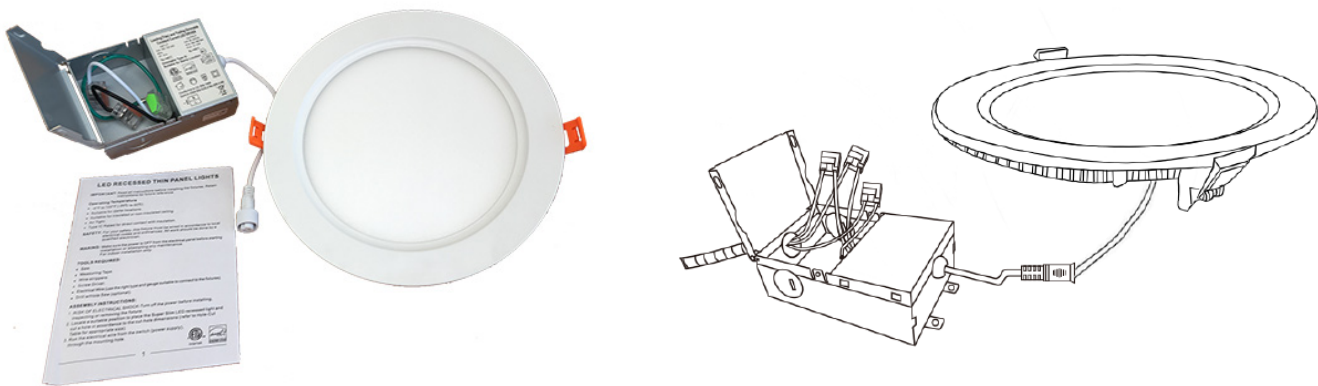
### Details

- Third Generation: New & Improved
- Super slim design, no can or box needed
- Comes with Jbox and integrated driver
- Patented quick connect for easy install
- Two spring loaded clips secure unit to ceiling material
- Warm White & Natural White color temperatures
- Four trim finishes available
- Connects directly to 120V power supply

### Features

- 90+ CRI
- Suitable for wet and damp indoor locations
- IC Rated, suitable for direct contact with insulation
- Dimmable to 5% with most LED-approved dimmers
- High quality extruded aluminum housing
- 5-year warranty, 50,000-hour lifetime
- Airtight
- cETLus and ENERGY STAR listed

### Product Image & Diagram



Size	Dimensions		
	Body	Trim	Thickness
4"	3 1/4"	4 3/4"	3/4"
6"	6"	7 3/8"	3/4"
Junction Box Dimensions	Length	Width	Thickness
	3 5/16"	3 5/16"	1 5/16"

#### Notes:

1. Specifications subject to change without notice





### Device Selection Guide

	Size	Emitting Color	Trim Finish	
PLSO-LV	— <input type="text"/>	— <input type="text"/>	— <input type="text"/>	— R-W9
	DL4 = 4" DL6 = 6"	WW = Warm White NW = Natural White	WH = White BZ = Bronze* SN = Satin Nickel*	

Note: \*100 piece MOQ

### Specifications

Parameter	4" Downlight	6" Downlight
Correlated Color Temperature (CCT)	WW (3000K) NW (4000K)	
Color Rendering Index (CRI)	90+	
Input Voltage	AC100~120V, 60Hz	
Output Power	9 Watts	16 Watts
Number of 2835 LEDs	40	50
Lumens	650	1200
Luminous Efficacy (lm/W)	78lm/W	93lm/W
Dimmable	Yes	
Installation Hole Size	4.5" (114mm)	6.5" (165mm)
Operating Temperature	-13° ~ 122°F (-25° ~ 50°C)	

### Compatible Dimmers

Brand	Model
Lutron	CL™ Dimmers
	DVELV-300
	SELV-3600P
	NTELV-300/600
	MAELV-300/600
	MRF2-6ND-120
Leviton	VPE04
	6615
	VPE06
	VRE06
	6672
	6674
	IPE04

Notes: 1. Dimmable to 5% with most LED-approved dimmers

