

## PA47 Alphanumeric 0.39" Display

### Features

- \*Single Digit 0.39" (10.0mm) Display
- \*GaAsP Yellow chips used
- \*Direct Drive with 18 Pins
- \*Gray Face, White Segments
- \*Low Current Requirements
- \*High Light Output
- \*IC Compatible
- \*High Reliability
- \*RoHS Compliant

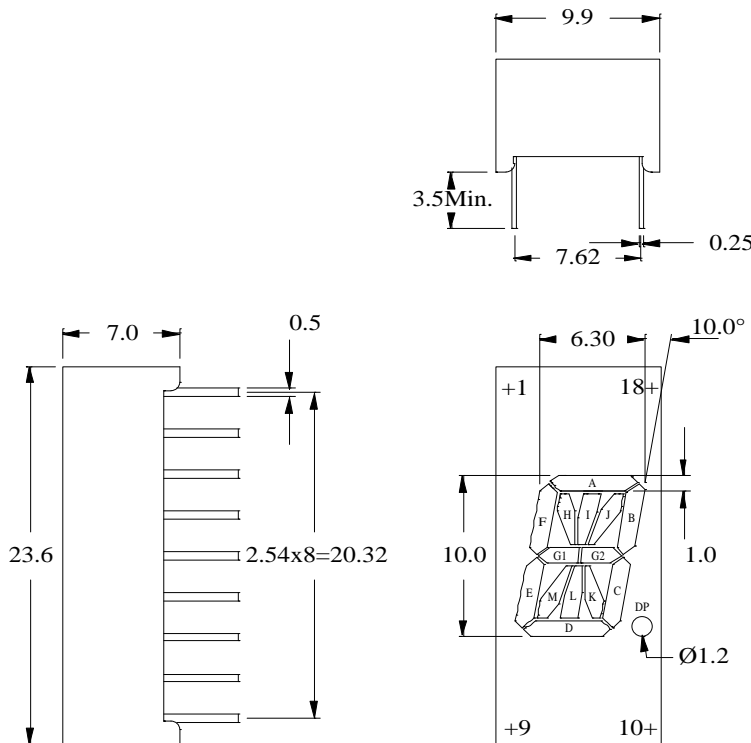
### Absolute Maximum Ratings at T<sub>A</sub> = 25 °C

Power Dissipation.....	78mW
Reverse Voltage (<100 μA).....	5.0V
Max Forward Current.....	30mA
Peak Forward Current (1/10 Duty Cycle, 0.1ms Pulse Width).....	100mA
Operating Temperature Range.....	-25°C to +85°C
Storage Temperature Range.....	-40°C to +100°C
Soldering Temperature (1.6mm below body).....	260° for 5 seconds

### Electrical & Optical Characteristics at T<sub>A</sub> = 25 °C

Part Number		Emitting Color	Chip Material	Dominant Wave Length	Peak Wave Length	Forward Voltage @20mA (V)		Luminous Intensity @10mA (mcd)	
						Typ	Max	Min	Typ
Common Anode	Common Cathode			nm	nm				
PA47-CADY01	PA47-CCDY01	Yellow	GaAsP	590	585	2.1	2.6	1.5	4.0

All Dimensions are in **Millimeters**. Tolerance is ± 0.25mm unless otherwise specified. The Slope Angle of any Pin maybe ± 5° max.



Function of Pin #	
Common Anode Pin #	Common Cathode Pin #
1 Cathode I	1 Anode I
2 Cathode H	2 Anode H
3 Cathode F	3 Anode F
4 Common Anode	4 Common Cathode
5 Cathode G1	5 Anode G1
6 Cathode E	6 Anode E
7 Cathode M	7 Anode M
8 Cathode D	8 Anode D
9 Cathode L	9 Anode L
10 Cathode K	10 Anode K
11 Cathode C	11 Anode C
12 Cathode DP	12 Anode DP
13 Common Anode	13 Common Cathode
14 Cathode G2	14 Anode G2
15 Cathode B	15 Anode B
16 Cathode J	16 Anode J
17 Common Anode	17 Common Cathode
18 Cathode A	18 Anode A