

## PB66 5 Segment Rectangular Bar Graph Array

### Features

- \*Industry Standard Bar Graph Array with 5 Segments
- \*5 GaAsP Hi-Eff Red LED Chips used
- \*Red Face, Red Segments
- \*High Light Output
- \*IC Compatible
- \*RoHS Compliant

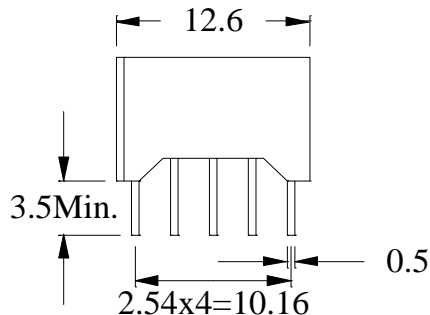
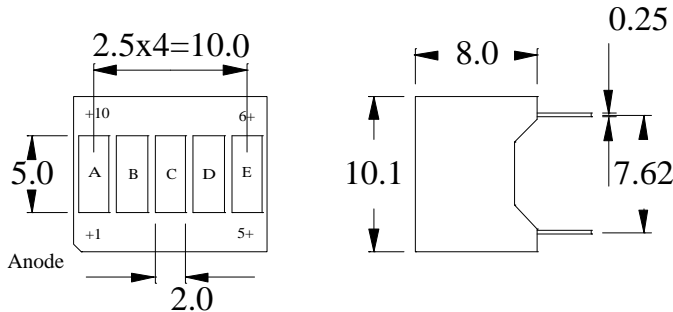
### Absolute Maximum Ratings at T<sub>A</sub> = 25°C

Power Dissipation.....	78mW
Reverse Voltage (<100µA).....	5.0V
Max Forward Current .....	30mA
Peak Forward Current (1/10 Duty Cycle, 0.1ms Pulse Width).....	100mA
Operating Temperature Range... ..	-25°C to +85°C
Storage Temperature Range.....	-40°C to +100°C
Soldering Temperature.....	260°C for 5 seconds

### Electrical & Optical Characteristics at T<sub>A</sub> = 25°C

Part Number	Emitting Color	Chip Material	Dominant Wave Length nm	Peak Wave Length nm	Forward Voltage @20mA (V)		Luminous Intensity @20mA (mcd)	
					Typ	Max	Min	Typ
PB66-BGA5R12	Orange-Red	GaAsP	626	635	2.1	2.6	6.0	12.0

Package Dimension are in **Millimeters**. Tolerance is ± 0.25mm unless otherwise specified.



Pin Functions	
Pin #	
1 Anode A	11 Cathode J
2 Anode B	12 Cathode I
3 Anode C	13 Cathode H
4 Anode D	14 Cathode G
5 Anode E	15 Cathode F