



## PD29 Single Digit 7 Segment 2.3" LED Display

### Features

- \*Single Digit 2.3" (57.0mm) Super Bright Red Display with 10 Pins
- \*Low Current Requirements
- \*High Light Output
- \*IC Compatible
- \*High Reliability
- \*Gray Face White Segments
- \*RoHS Compliant

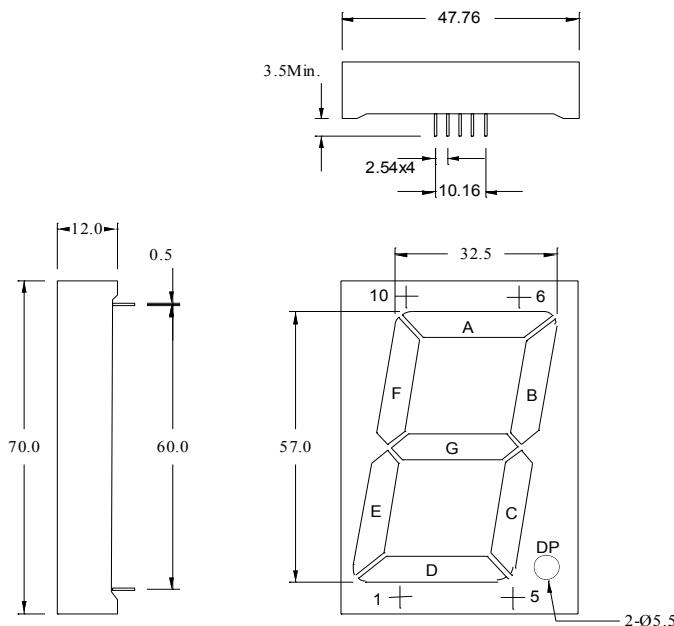
### Absolute Maximum Ratings at $T_A = 25^\circ\text{C}$

|  |   |
|--|---|
| Power Dissipation (Segment / DP).....                          | 264 / 132mW                                 |
| Reverse Voltage (<100 $\mu\text{A}$ ).....                     | 4.0V  |
| Max Forward Current.....                                       | 30mA  |
| Peak Forward Current (1/10 Duty Cycle, 0.1ms Pulse Width)..... | 100mA                                       |
| Operating Temperature Range .....                              | $-25^\circ\text{C}$ to $+85^\circ\text{C}$  |
| Storage Temperature Range.....                                 | $-40^\circ\text{C}$ to $+100^\circ\text{C}$ |
| Soldering Temperature (1.6mm below body).....                  | $260^\circ\text{C}$ for 5 seconds           |

### Electrical & Optical Characteristics at $T_A = 25^\circ\text{C}$

| Part Number  |                | Emitting Color | Chip Material | Dominant Wave Length | Peak Wave Length | Forward Voltage @20mA (V) |     |     |     | Luminous Intensity @10mA (mcd) |      |
|--------------|----------------|----------------|---------------|----------------------|------------------|---------------------------|-----|-----|-----|--------------------------------|------|
| Common Anode | Common Cathode |                |               |                      |                  | Segment                   |     | DP  |     | Min                            | Typ  |
| PD29-CADR21  | PD29-CCDR21    | Deep Red       | AlGaAs        | 643                  | 660              | 7.2                       | 8.8 | 3.6 | 4.4 | 18.0                           | 31.0 |

All Dimensions are in **Millimeters**. Tolerance is  $\pm 0.25\text{mm}$  unless otherwise specified. The Slope Angle of any Pin maybe  $\pm .5^\circ$  max.



| Pin Function       |                      |
|--------------------|----------------------|
| Common Anode Pin # | Common Cathode Pin # |
| 1 Common Anode     | 1 Common Cathode     |
| 2 Cathode E        | 2 Anode E            |
| 3 Cathode D        | 3 Anode D            |
| 4 Cathode C        | 4 Anode C            |
| 5 Common Anode     | 5 Common Cathode     |
| 6 Cathode B        | 6 Anode B            |
| 7 Cathode A        | 7 Anode A            |
| 8 Cathode DP       | 8 Anode DP           |
| 9 Cathode F        | 9 Anode F            |
| 10 Cathode G       | 10 Anode G           |