

PD39 Dual Digit 7 Segment 0.8" Display

Features

- *Dual Digit .8" (20.32mm) Green Display
- *Direct Drive with 18 Pins
- *Gray Face, White Segments
- *Low Current Requirements
- *High Light Output
- *IC Compatible
- *High Reliability
- *RoHS Compliant

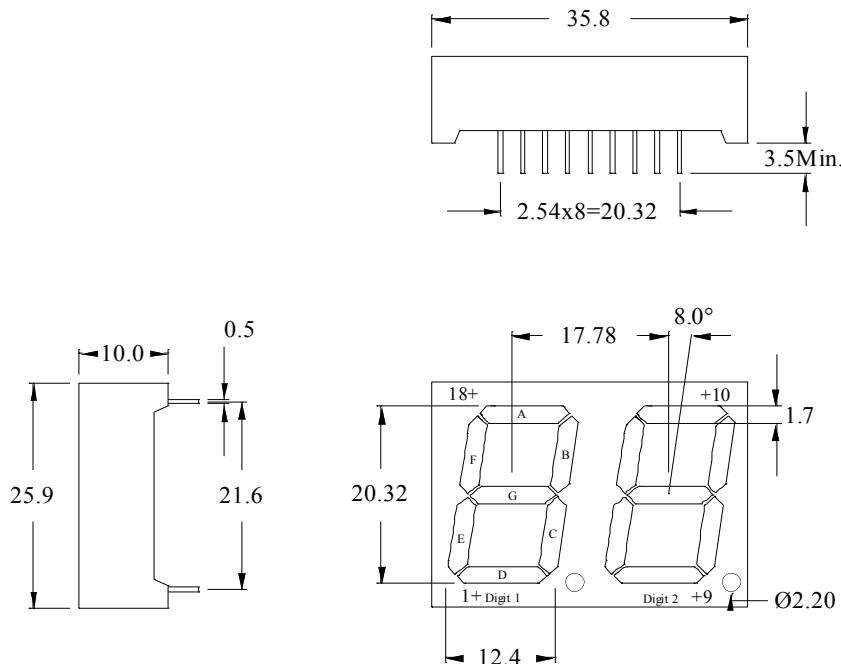
Absolute Maximum Ratings at T_A = 25°C

| | |
|--|---------------------|
| Power Dissipation..... | 78mW |
| Reverse Voltage (<100 μA)..... | 5.0V |
| Max Forward Current..... | 30mA |
| Peak Forward Current (1/10 Duty Cycle, 0.1ms Pulse Width)..... | 100mA |
| Operating Temperature Range..... | -25°C to +85°C |
| Storage Temperature Range..... | -40°C to +100°C |
| Soldering Temperature (1.6mm below body)..... | 260°C for 5 seconds |

Electrical & Optical Characteristics at T_A = 25°C

| Part Number | | Emitting Color | Chip Material | Dominant Wave Length | Peak Wave Length | Forward Voltage @20mA (V) | | Luminous Intensity @10mA (mcd) | |
|--------------|----------------|----------------|---------------|----------------------|------------------|---------------------------|-----|--------------------------------|-----|
| | | | | | | Typ | Max | Min | Typ |
| Common Anode | Common Cathode | | | nm | nm | | | | |
| PD39-CADG13 | PD39-CCDG13 | Green | GaP | 572 | 567 | 2.1 | 2.6 | 3.0 | 6.0 |

All Dimensions are in **Millimeters**. Tolerance is ± 0.25mm unless otherwise specified. The Slope Angle of any Pin maybe ± 5° max.



| Function of Pin # | |
|--------------------|----------------------|
| Common Anode Pin # | Common Cathode Pin # |
| 1 Dig 1 Cathode E | 1 Dig 1 Anode E |
| 2 Dig 1 Cathode D | 2 Dig 1 Anode D |
| 3 Dig 1 Cathode C | 3 Dig 1 Anode C |
| 4 Dig 1 Cathode DP | 4 Dig 1 An DP |
| 5 Dig 2 Cathode E | 5 Dig 2 Anode E |
| 6 Dig 2 Cathode D | 6 Dig 2 Anode D |
| 7 Dig 2 Cathode G | 7 Dig 2 Anode G |
| 8 Dig 2 Cathode C | 8 Dig 2 Anode C |
| 9 Dig 2 Cathode DP | 9 Dig 2 Anode DP |
| 10 Dig 2 Cathode B | 10 Dig 2 Anode B |
| 11 Dig 2 Cathode A | 11 Dig 2 Anode A |
| 12 Dig 2 Cathode F | 12 Dig 2 Anode F |
| 13 Dig 2 Com Anode | 13 Dig 2 Com Cathode |
| 14 Dig 1 Com Anode | 14 Dig 1 Com Cathode |
| 15 Dig 1 Cathode B | 15 Dig 1 Anode B |
| 16 Dig 1 Cathode A | 16 Dig 1 Anode A |
| 17 Dig 1 Cathode G | 17 Dig 1 Anode G |
| 18 Dig 1 Cathode F | 18 Dig 1 Anode F |