



PC4004G-O (40x4) Character LCD Display

Features

- *40 Character, 4 Line
- *View Angle 12H or 6H
- *STN Gray, Yellow or Blue
- *LED B/L available
- *Extended Temperature available
- *RoHS Compliant

Absolute Maximum Ratings at T_A = 25°C

Item	Symbol	Min	Max	Unit
Power Supply (Logic)	Vdd	-0.3	7.0	V
Power Supply (LCD)	Vo	-13.5	+0.3	V
Input Voltage	Vi	- 0.3	Vdd +0.3	V
Operating Temperature (Standard)	Topr	0	50	°C
Storage Temperature (Standard)	Tstg	- 20	70	°C
Extended Operating Temperature	Topr	- 20	70	°C
Extended Storage Temperature	Tstg	- 30	80	°C

Electrical Characteristics at T_A = 25°C, Vdd=5V±0.25V

Item	Symbol	Min	Typ	Max	Unit
Power Supply (Logic)	Vdd	4.5	5.0	5.5	V
Supply Current (Logic)	Idd	5.5	6.0	8.0	mA
LCD Driving Voltage	Vdd -Vo	8.5	9.0	9.5	V
LCD Supply Current	Ilcd	-	0.3	0.7	V

Interface Pin Connection

No	Symbol	Function	No	Symbol	Function
1	NC	No Connection	14	Vss	Power Supply (GND)
2	NC	No Connection	15	DB2	Data Bus Line 2
3	E2	Enable Signal for Chip (2)	16	Vss	Power Supply (GND)
4	NC	No Connection	17	DB3	Data Bus Line 3
5	R/W	Instruction/Register Select	18	Vss	Power Supply (GND)
6	NC	No Connection	19	DB4	Data Bus Line 4
7	RS	Read/Write	20	K	Power Supply for LED Backlight (-)
8	Vss	Power Supply (GND)	21	DB5	Data Bus Line 5
9	E1	Enable Signal for Chip (1)	22	Vdd	Power Supply (+5V)
10	Vss	Power Supply (GND)	23	DB6	Data Bus Line 6
11	DB0	Data Bus Line 0	24	Vdd	Power Supply (+5V)
12	Vss	Power Supply (GND)	25	DB7	Data Bus Line 7
13	DB1	Data Bus Line 1	26	A	Power Supply for LED Backlight (+)

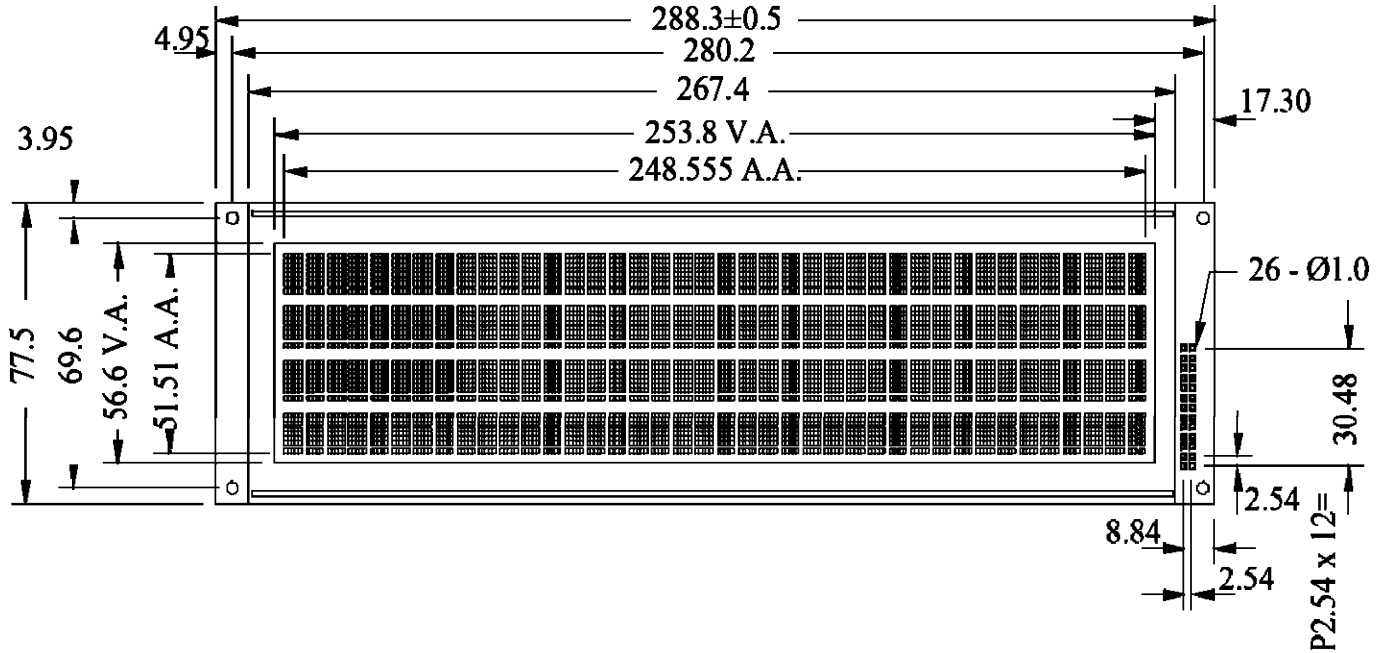
LED Backlight Specifications

Forward Voltage	Forward Current	Power Dissipation	Peak Wavelength
4.2V (Typ)	2200mA (Typ)	11000mW (Typ)	570nm (Typ)

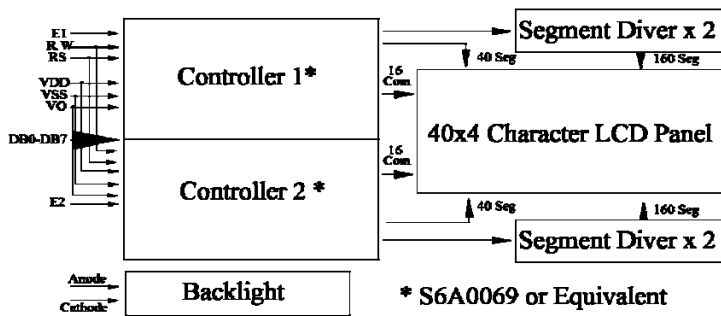
Mechanical Specifications

Item	Overall Size	Viewing Area	Character Size	Character Pitch	Dot Size
Specifications	288.3W x 77.5H x 14.0T	253.8W x 56.6H	5.00W x 8.476H	6.245W x 13.69H	0.96W x 1.168H

PC4004G-O (40x4) Character LCD Display



LCD Block Diagram



Dot Layout

