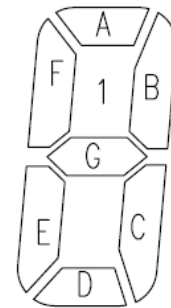
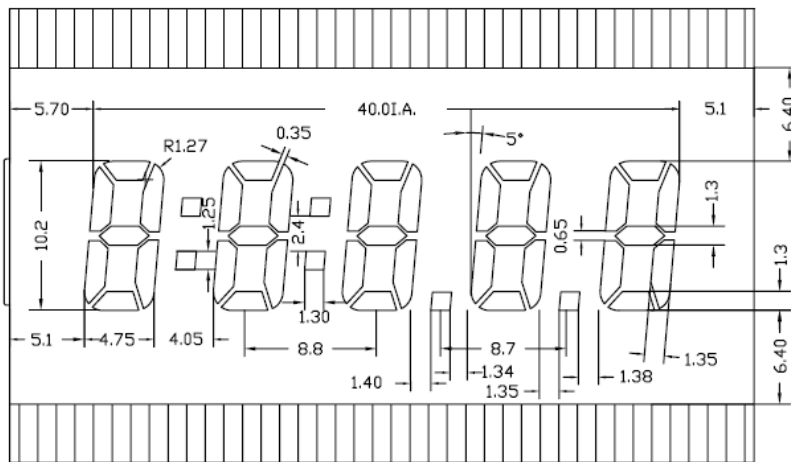
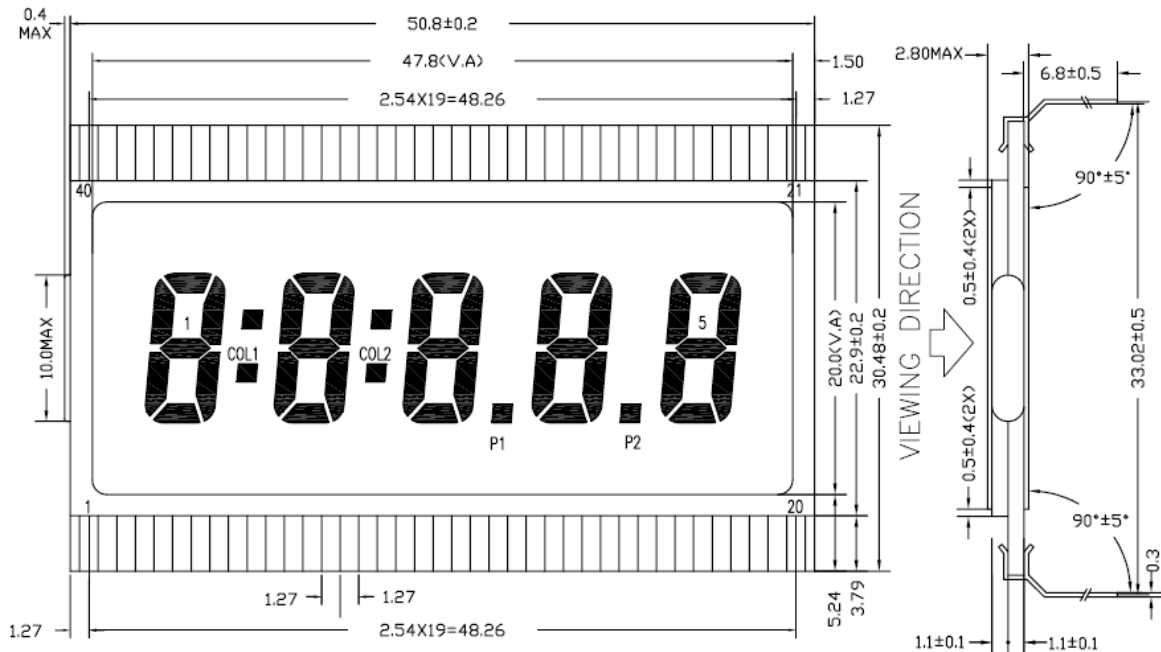


PRODUCT SPECIFICATION

Part Number **PC502-O**



PIN	1	2	3	4	5	6	7	8	9	10	11	12	13	14	15	16	17	18	19	20
COM1	COM1	1G	1E	1D	1C	2E	2D	2C	3E	3D	3C	P1	4E	4D	4C	P2	5E	5D	5C	5B
PIN	21	22	23	24	25	26	27	28	29	30	31	32	33	34	35	36	37	38	39	40
COM1	5A	5F	5G	4B	4A	4F	4G	3B	3A	3F	3G	COL2	2B	2A	2F	2G	COL1	1B	1A	1F

NOTES:

- | | |
|---|-------------------------------|
| 1. DISPLAY TYPE: TN | 5. OPERATING VOLTAGE: 5.0 V |
| 2. VIEWING DIRECTION: 6:00 | 6. OPERATING TEMP: -30°C~80°C |
| 3. POLARIZER MODE: POSITIVE/TRANSFLECTIVE | 7. STORAGE TEMP: -30°C~80°C |
| 4. DRIVER METHOD: STATIC | 8. CONNECTOR: PIN |

