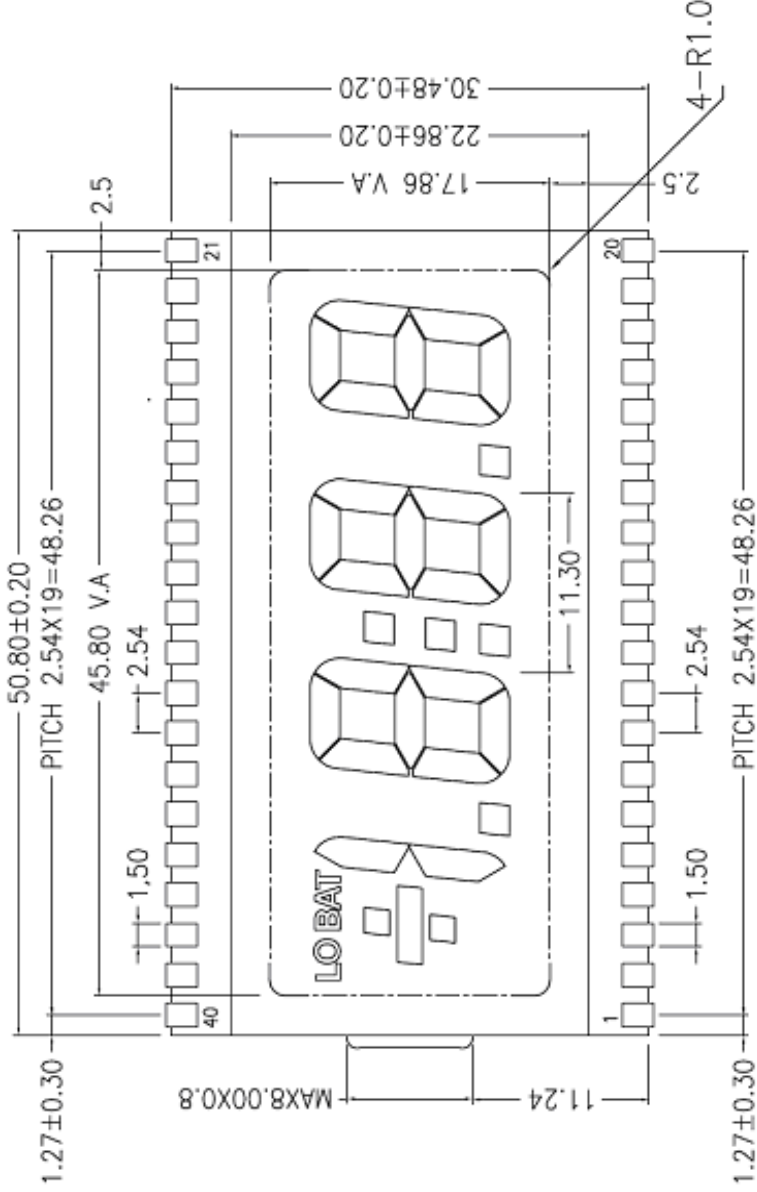


PRODUCT SPECIFICATION

Part Number **PC5130-OWWB**

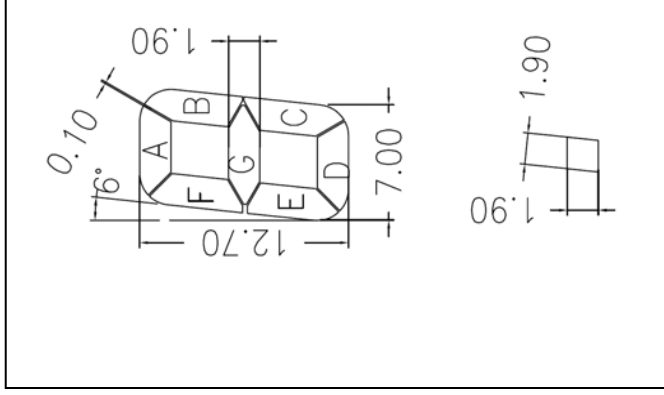


NOTES:

- | | | | |
|--------------------|------------|--------------------|------------|
| 1. LCD type: | FSTN | 6. Drive voltage: | 5.0V |
| 2. Display mode: | Positive | 7. Drive method: | STATIC |
| 3. Polarizer type: | Reflective | 8. Operating Temp: | 0°C~50°C |
| 4. Viewing Angle: | 6:00 | 9. Storage Temp: | -20°C~70°C |
| 5. Connector: | Pin | | |
- White Background**
Blue Characters

Pin out and Segment dimensions

PIN	SEG	PIN	SEG	PIN	SEG	PIN	SEG	PIN	SEG
1	BP	11	2C	21	4A	31	2F		
2	TX	12	DP2	22	4F	32	2G		
3	1BC	13	3E	23	4G	33			
4		14	3D	24	3B	34			
5		15	3C	25	3A	35			
6		16	DP3	26	3F	36			
7		17	4E	27	3G	37			
8	DP1	18	4D	28	COL	38	LO BAT		
9	2E	19	4C	29	2B	39	TY		
10	2D	20	4B	30	2A	40	BP		





	Approved By	Checked By	Prepared By
Customer Approval Signatures			

Record Of Revisions		
Rev.0 01.13.24	JAS	Layout Start
Rev.1 03.24.15	JAS	Logo update