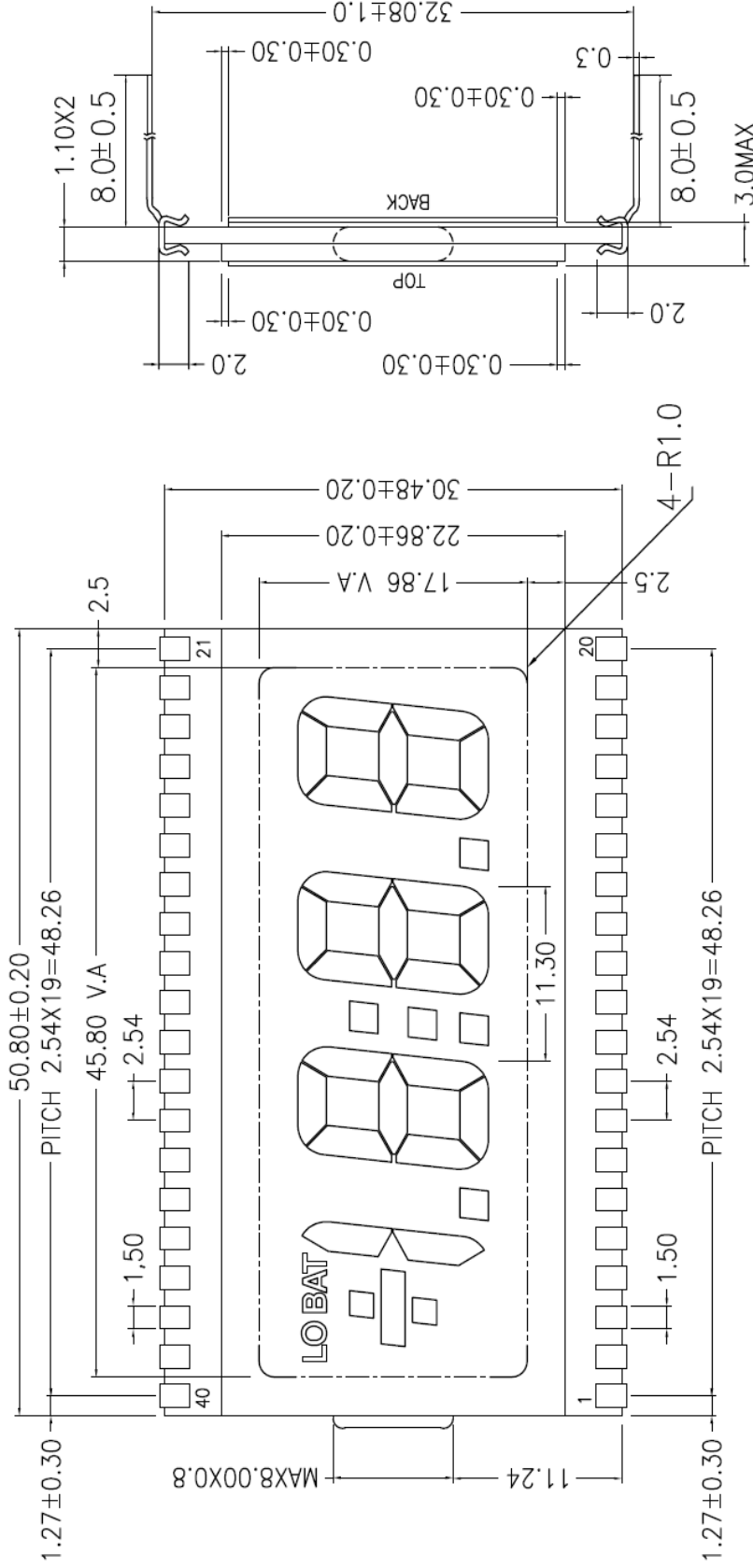




# PRODUCT SPECIFICATION

Part Number **PC5130-OWWP**



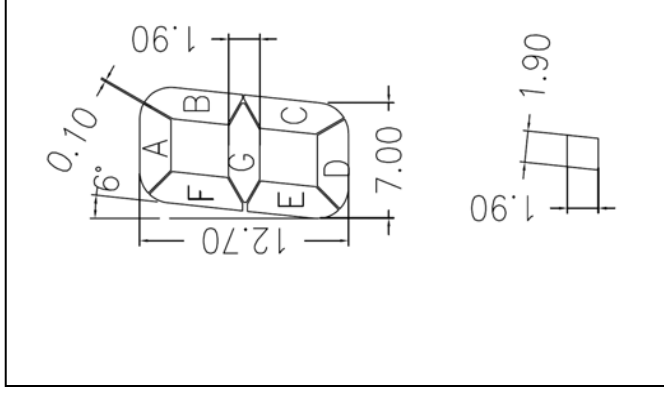
## NOTES:

1. LCD type: FSTN
2. Display mode: Positive
3. Polarizer type: Reflective
4. Viewing Angle: 6:00
5. Connector: Pin
6. Drive voltage: 5.0V
7. Drive method: STATIC
8. Operating Temp: 0°C~50°C
9. Storage Temp: -20°C~70°C

White Background  
Pink Characters

*Pin out and Segment dimensions*

PIN	SEG	PIN	SEG	PIN	SEG	PIN	SEG	PIN	SEG
1	BP	11	2C	21	4A	31	2F		
2	TX	12	DP2	22	4F	32	2G		
3	1BC	13	3E	23	4G	33			
4		14	3D	24	3B	34			
5		15	3C	25	3A	35			
6		16	DP3	26	3F	36			
7		17	4E	27	3G	37			
8	DP1	18	4D	28	COL	38	LO BAT		
9	2E	19	4C	29	2B	39	TY		
10	2D	20	4B	30	2A	40	BP		





**P-TEC**

<b>Customer Approval Signatures</b>	<b>Approved By</b>	<b>Checked By</b>	<b>Prepared By</b>

<b>Record Of Revisions</b>		
Rev.0 01.13.24	JAS	Layout Start
Rev.1 03.24.15	JAS	Logo update