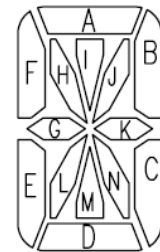
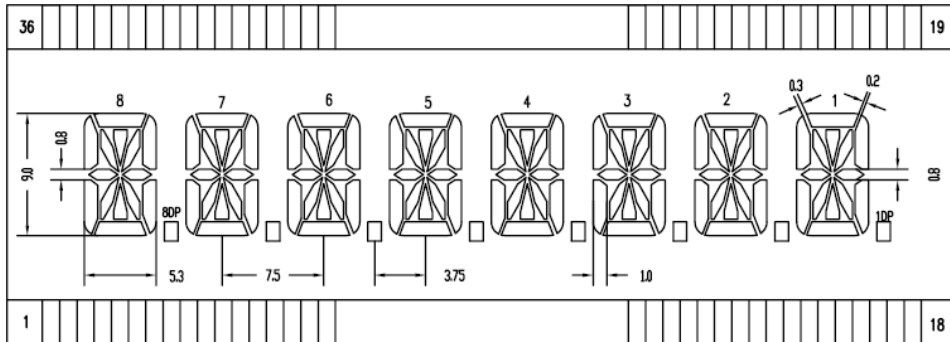
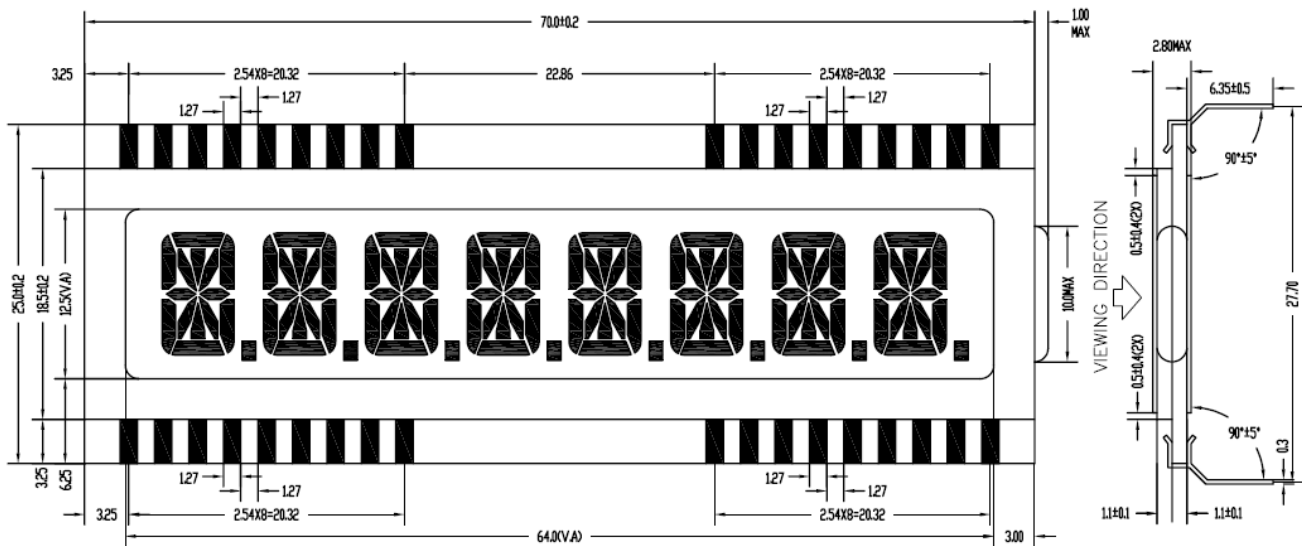


PRODUCT SPECIFICATION

Part Number **PC893-O**



PIN	1	2	3	4	5	6	7	8	9	10	11	12	13	14	15	16	17	18	19	20	21	22	23	24	25	26	27	28	29	30	31	32	33	34	35	36	
COM1			8I	8J	7I	6I	5I	4I	3I	2I	1I								COM1	1A	1H	2A	2H	3A	3H	4A	4H	5A	5H	6A	6H	7A	7H	8A	8H		
COM2			8F	8J	7F	6F	5F	4F	3F	2F	1F	1J								COM2	1B	1G	2B	2G	3B	3G	4B	4G	5B	5G	6B	6G	7B	7G	8B	8G	COM2
COM3			8E	8K	7E	6E	5E	4E	3E	2E	1E	1K							COM3	1C	1L	2C	2L	3C	3L	4C	4L	5C	5L	6C	6L	7C	7L	8C	8L		
COM4	COM4	8D	8N	7D	7N	6D	6N	5D	5N	4D	4N	3D	3N	2D	2N	1D	1N			1DP	1M	2DP	2M	3DP	3M	4DP	4M	5D	5M	6D	6M	7DP	7M	8DP	8M		

NOTES:

- | | | | |
|-----------------------|---------------------|-----------------------|------------|
| 1. DISPLAY TYPE: | TN | 5. OPERATING VOLTAGE: | 4.7 V |
| 2. VIEWING DIRECTION: | 6:00 | 6. OPERATING TEMP: | -30°C~80°C |
| 3. POLARIZER MODE: | POSITIVE/REFLECTIVE | 7. STORAGE TEMP: | -40°C~80°C |
| 4. DRIVER METHOD: | 1/4 DUTY 1/3 BIAS | 8. CONNECTOR: | PIN |

