



## PL00101 Series SMD LED 1206 Package

### Features

- \*Flat lens package 3.2 x 1.6 x 1.4mm with reflector cup
- \*Small 30° viewing angle
- \*AlInGaP ultra bright red chip used
- \*High light output
- \*Compatible with IR solder-process
- \*Industry standard footprint
- \*3000 pcs per reel
- \*RoHS compliant

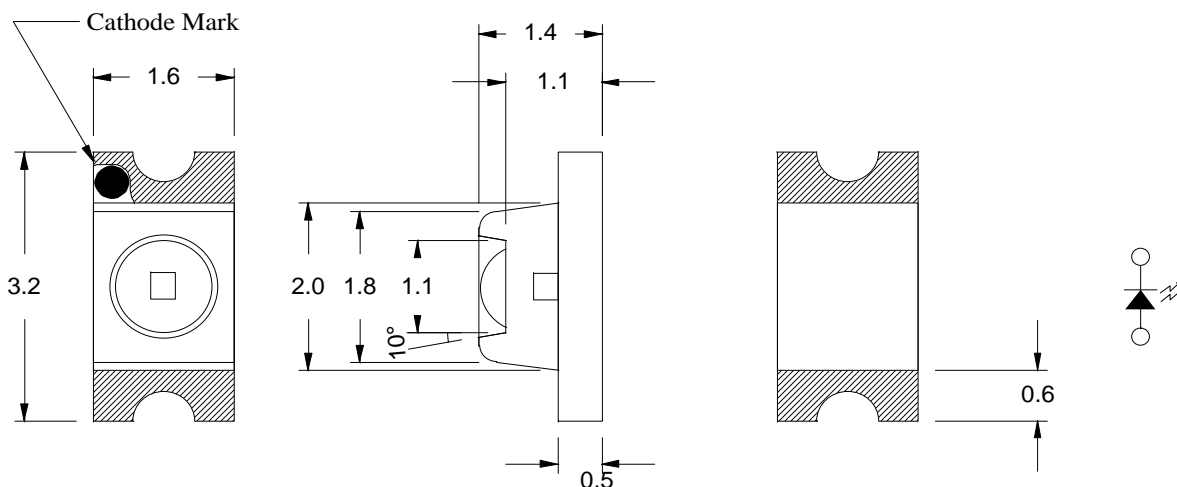
### Absolute Maximum Ratings at T<sub>A</sub> = 25°C

|  |                      |
|--|----------------------|
| Power Dissipation.....   | 78mW                 |
| Reverse Voltage (<100μA) .....                                 | 5.0V                 |
| Max Forward Current .....                                      | 30mA                 |
| Peak Forward Current(1/10 Duty Cycle, 0.1ms Pulse Width) ..... | 100mA                |
| Operating Temperature Range .....                              | -40°C to +85°C       |
| Storage Temperature Range .....                                | -40°C to +85°C       |
| Reflow Soldering Temperature.....                              | 260°C for 10 seconds |

### Electrical & Optical Characteristics at T<sub>A</sub> = 25°C

| Part Number      | Emitting Color | Chip Material | Peak Wave Length | Dominant Wave Length | Viewing Angle 2θ1/2 | Forward Voltage @20mA (V) |     | Luminous Intensity @20mA (mcd) |       |
|------------------|----------------|---------------|------------------|----------------------|---------------------|---------------------------|-----|--------------------------------|-------|
|                  |                |               |                  |                      |                     | Typ                       | Max | Min                            | Typ   |
| Water Clear Lens |                |               | nm               | nm                   | Deg                 |                           |     |                                |       |
| PL00101-WCR18    | Red            | AlGaInP       | 645              | 632                  | 30°                 | 2.1                       | 2.6 | 225.0                          | 360.0 |

Package Dimensions are in **Millimeters**. Tolerance is ± 0.25mm unless otherwise specified.



### Recommended Soldering Pad Layout

