



PL00192 Series Tri-Color SMD LED 1204 Package

Features

- *Dome lens thin package 3.2 x 1.0 x 1.5mm
- *AlInGaP ultra-bright red and InGaN green chip and InGaN blue chipped used
- *Low current requirements
- *High light output
- *Compatible with IR solder-process
- *Industry standard footprint
- *4000 pcs per reel
- *RoHS compliant

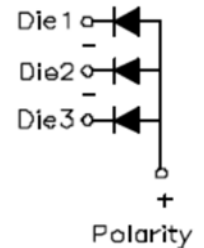
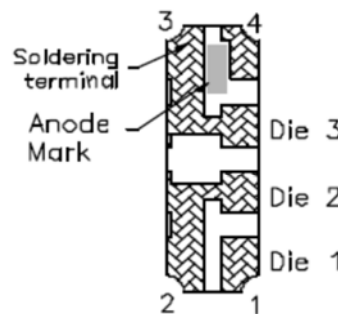
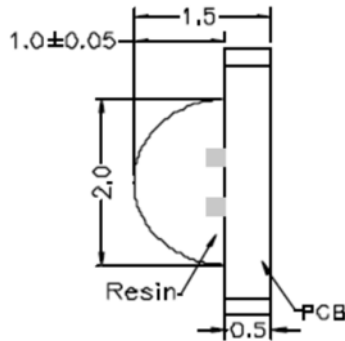
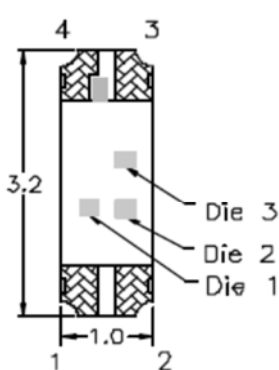
Absolute Maximum Ratings at T_A = 25°C

Power Dissipation.....	78mW (R) 84mW (G, B)
Reverse Voltage (<10μA)	5.0V
Max Forward Current	30mA
Peak Forward Current(1/10 Duty Cycle, 0.1ms Pulse Width).....	100mA
Operating Temperature Range	-40°C to +85°C
Storage Temperature Range	-40°C to +85°C
Reflow Soldering Temperature.....	260°C for 10 seconds

Electrical & Optical Characteristics at T_A = 25°C

Part Number	Emitting Color	Chip Material	Dominant Wave Length	Peak Wave Length	Viewing Angle 2θ1/2	Forward Voltage @20mA (V)		Luminous Intensity @20mA (mcd)	
						Typ	Max	Min	Typ
Water Clear Lens			(nm) Typ	(nm) Typ	Deg				
PL00192-WCRGB182511	Ultra-Bright Red	AlInGaP	631	645	110°	2.1	2.6	45	72
	True Green	InGaN	525	523		3.3	3.8	180	315
	Blue	InGaN	468	470		3.3	3.8	45	72

Package Dimensions are in **Millimeters**. Tolerance is ± 0.15mm unless otherwise specified.



Unit:mm
Tolerance:±0.1

