

PRODUCT SPECIFICATION

Part Number
PLH0402-WDR22

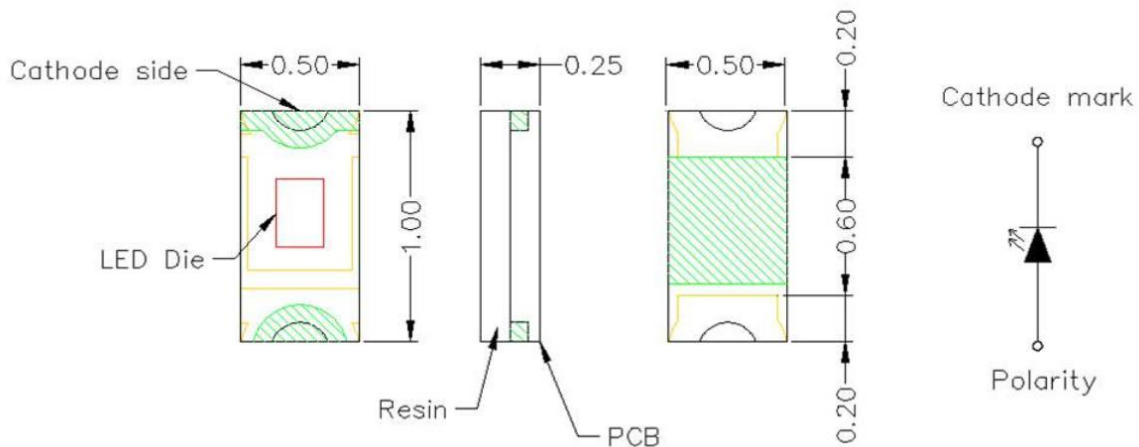
Details

- 0402 SMD LED
- 1.0 x 0.50 x 0.25 mm
- AlInGaP chip material, Deep Red
- Packaged on 3,000 piece reels

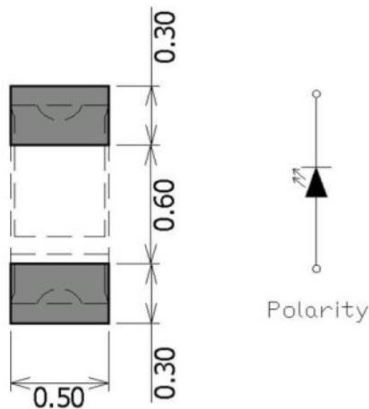
Features

- Durable and Rugged
- RoHS Compliant
- Thin design

Mechanical Dimensions



Soldering Pattern



Notes:

1. Dimensions in millimeters unless otherwise noted
2. Tolerance is ± 0.1 mm unless otherwise noted.
3. Specifications subject to change without notice





Device Selection Guide

Model Number	Chip		Resin
	Material	Emitting Color	
PLH0402-WDR22	AlInGaP	Deep Red	Diffused

Absolute Maximum Ratings at Ta=25°C

P _d (mW)	I _F (mA)	I _{FP} * (mA)	V _R (V)	T _{OP} (°C)	T _{ST} (°C)
48	20	40	5	-40°C~+85°C	-40°C~+100°C

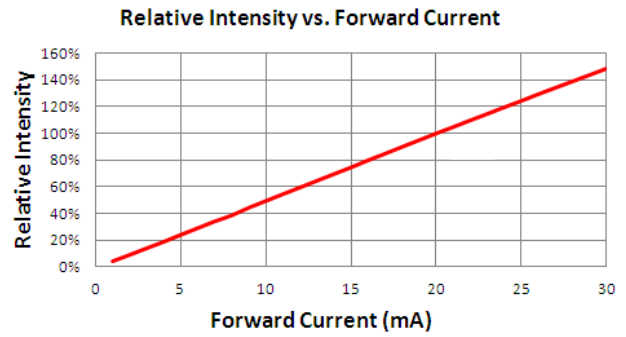
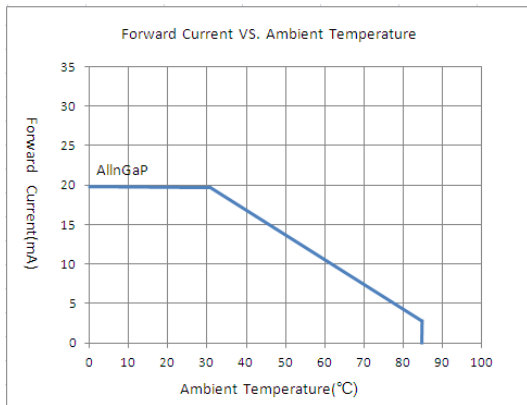
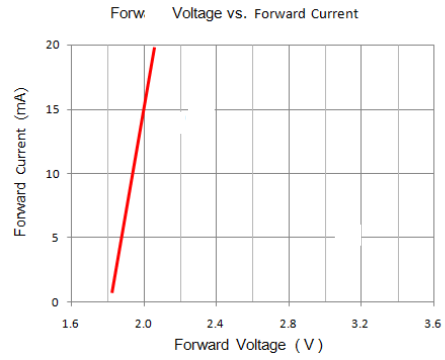
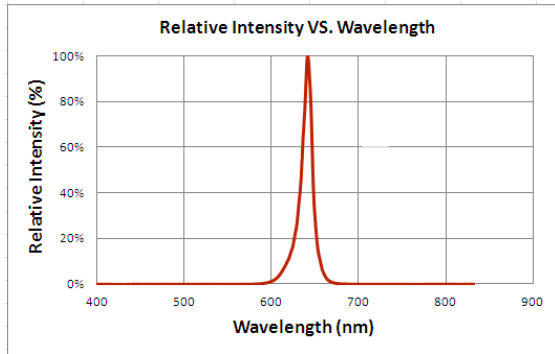
Note: 1. Condition for IFP is pulse of 1/10 duty and 0.1msec width

2. This product should be operated in forward bias. If a reverse voltage is continuously applied to the product, such operation can cause migration resulting in LED damage.

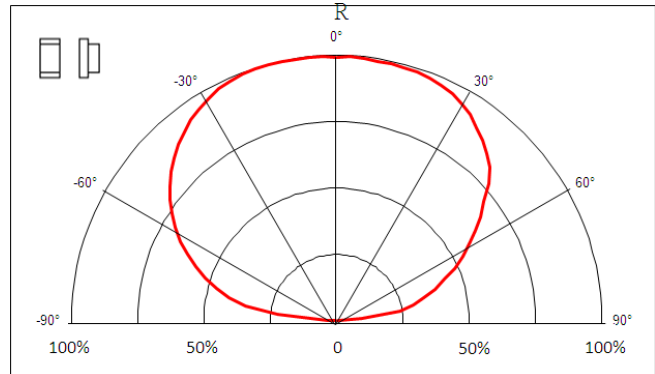
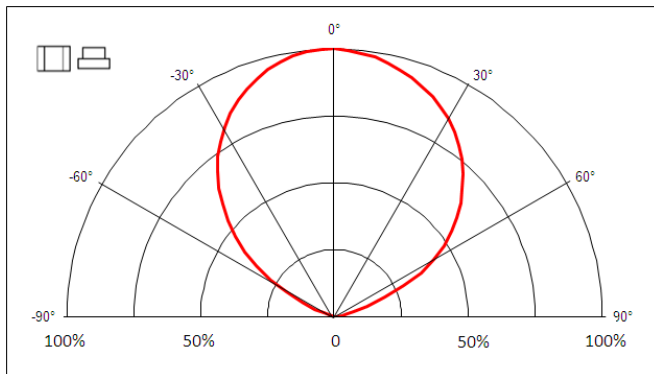
Electrical and Optical Characteristics at Ta=25°C

I _F (mA)	V _F (V)		Wavelength (nm) typ.			I _V * (mcd)	Viewing Angle 2θ½
	Typ.	Max.	λ _D	λ _P	Δλ	Typ.	
20	2.0	2.4	631	639	20	140	X: 100 Y: 130

Electrical and Optical Curves



Directive Characteristics



Luminous Intensity (I_v) Bin

Bin	Luminous Intensity Range (mcd)	
	Minimum	Maximum
N	28.5	45
P	45.0	71.5
Q	71.5	112.5

Note: @20mA / Ta=25° C, Tolerance: ±10%

Dominant Wavelength (λ_D) Bin:

Color	Bin Code	Spec. Range
Deep Red (R22)	BH	620-650nm

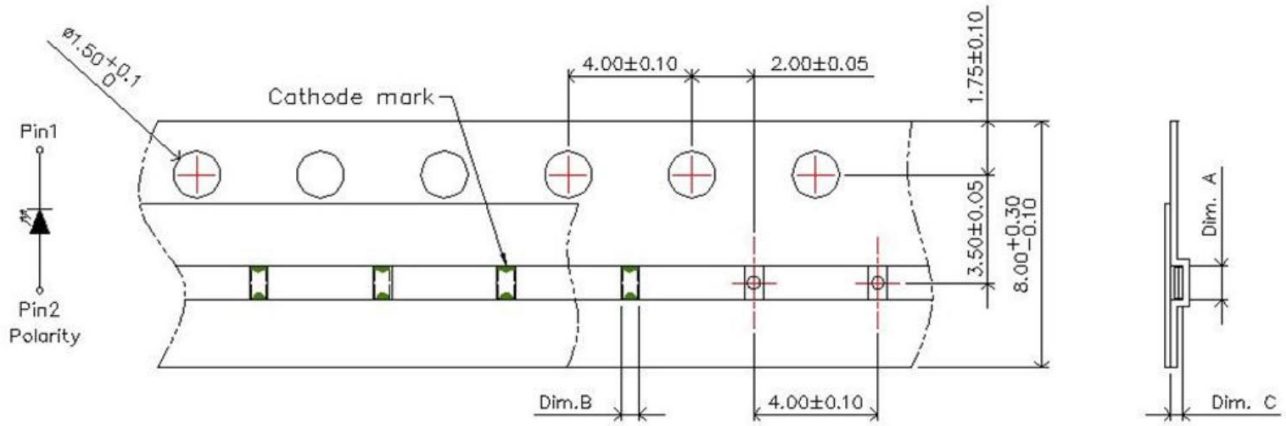
Note: @20mA / Ta=25°C, Tolerance: ±0.5nm

Forward Voltage (V_F) Bin:

Color	Bin Code	Spec. Range
Deep Red (R22)	E18	1.6-2.4V

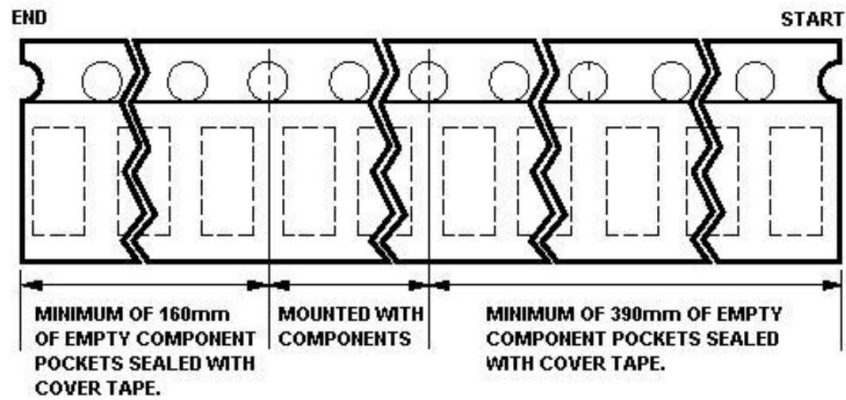
Note: @20mA / Ta=25 °C, Tolerance: ±0.05 V

Tape Dimensions

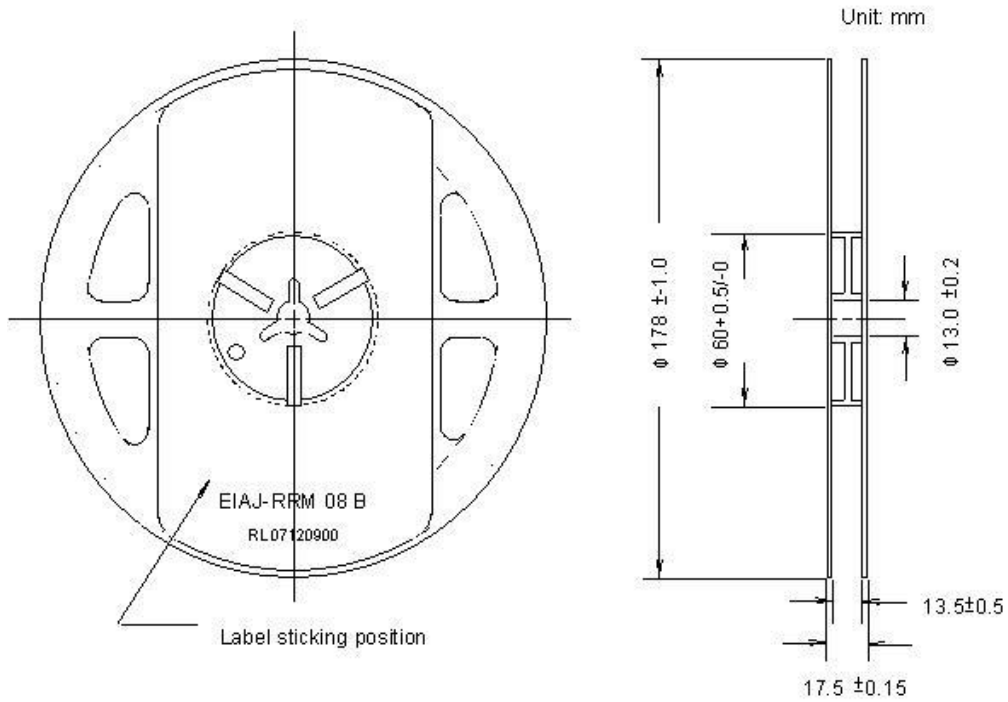


Dim. A	Dim. B	Dim. C	Q'ty/Reel
1.11 ± 0.03	0.60 ± 0.03	0.38 ± 0.03	3K

Unit: mm



Reel Specifications



Packing

